

AISLELOK™ 

AisleLok Acrycell™ Sealing Tape

Part Numbers

.50 Inch - 10108-001

1 Inch - 10108-002

2 Inch - 10108-003



Acrycell Sealing Tape 1 Inch - Part No. 10108-002

Applications

Designed to seal openings between racks in both new and existing data center aisle designs to block bypass airflow and maximize cooling system efficiencies.

AisleLok Acrycell Sealing Tape is an innovative non-particulating solution making it the premium choice for the data center. Its revolutionary sealing technology greatly reduces costly bypass airflow, increasing usable cooling unit capacity, and ensuring maximized efficiency from HVAC equipment.

Features

- Non-particulating tape is safe for the data center and ensures a durable secure seal between the racks/enclosures
- AisleLok products are compliant with directive 2002/95/EC of the European Parliament and the Council on the Restriction of the Use of Certain Hazardous Substances in Electrical and Electric Equipment (RoHS)
- Time release expansion allows product installation without disturbing cables
- Conforms to non-uniform spaces when completely expanded
- Compact size for easy portability

Benefits

- Supports increasing cabinet density
- Increases existing cooling unit capacity
- Reduces the need to purchase additional cooling units
- Improves IT equipment reliability and extends equipment life

Unique Acrycell Technology

Confirmed by a 3rd party laboratory's accelerated aging test this zero-particulate sealing tape is truly "Data Center Safe" and also offers:

- Time release expansion that ensures a tight seal around cables and other impediments
- Moldable physical quality that forms a tight seal on uneven surfaces and gaps
- Customizable tape unrolls creating one continuous and uniform top-to-bottom seal
- "Peel and Stick" installation saves labor, time and money
- Compressed tape eliminates pinching, stuffing, or otherwise manipulating to install

Specifications

AisleLok Acrycell Sealing Tape Specifications				
Product Name	Compressed Tape Minimum Effective Thickness	Expanded Tape Maximum Effective Thickness	Tape Width	Roll Length
.5" Sealing Tape Part No. 10108-001	5mm	12.7mm	10mm	10m
	.20"	.50"	.39"	32.8'
1" Sealing Tape Part No. 10108-002	12mm	25.4mm	15mm	5.6m
	.47"	1.0"	.59"	18.4'
2" Sealing Tape Part No. 10108-003	22mm	50.8mm	25mm	2.6m
	.87"	2.0"	.98"	8.5'

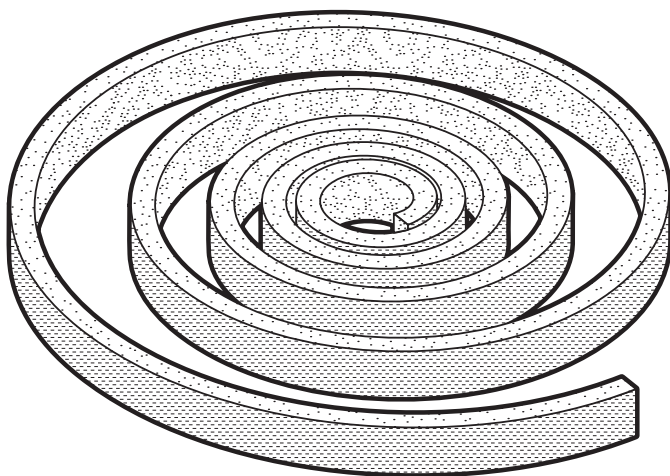
Data Center Safe Sealing System

Confirmed "Data Center Safe", the zero-particulate, time release Acrycell sealing technology is designed to seal gaps against draft and dust between server racks, cabinets or other enclosures in the mission critical data center environment.

Sealing Effectiveness

Acrycell sealing technology has been engineered to fill gaps tightly against airflow and particulates across a wide spectrum of widths. Confidently and cost effectively sealing gaps against errant airflow ranging from 5 to 50mm in width, between racks, cabinets, or other data center equipment.

Product Drawings



Temperature Resistance

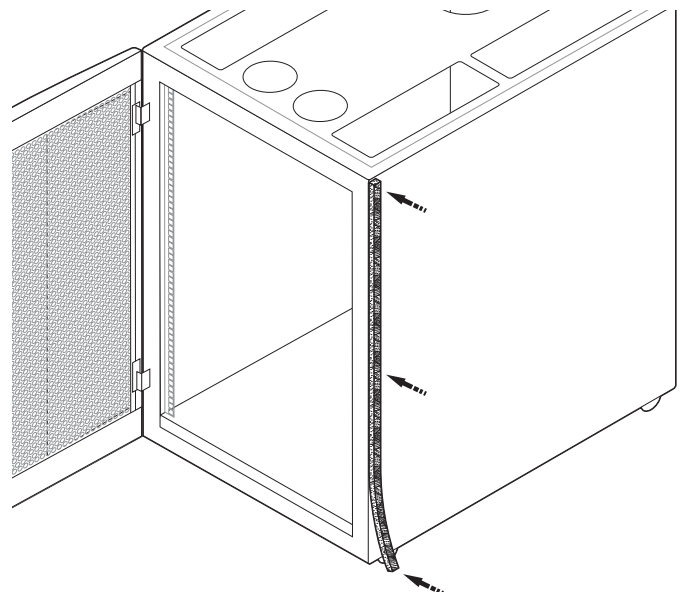
Durable Acrycell sealing tape is both temperature resistant from -40 to 212°F (-40 to 100°C) and fire resistant to DIN 4102 Class B1.

Finish: Black

Mounting System

Adhesive mounting system consisting of:

- Single-sided, pressure sensitive tape with durable and field tested adhesive backing



Geist Americas
1821 Yolande Ave
Lincoln, NE 68521
1.800.432.3219
402.474.3400
www.geistglobal.com